



PL1 LED Luminaire

A revolutionary breakthrough in display lighting the PL1 LED Luminaire is the first light source that delivers full control of the beam color composition irrespective of intensity.

Drawing on technology and specific insight, nurtured and developed, within the Philips Entertainment group the PL1 meets the everyday challenges of illuminating the world’s museums, art galleries and stages. A lighting instrument that extends the creative possibilities with light while significantly reducing the impact of our activities on the environment.

Features

- Fully tunable high output RGBW LED light engine supporting color temperatures from 2300K to 9970K and full color mixing with a maximum output similar to that of a 70 watt metal halide powered luminaire.
- High CRI is maintained down to very low light levels (>50 Lux) as the integral dimmer (0 to 100%) reduces intensity with minimal color shift maintaining the selected color balance
- Quick selection of Warm White, Cool White and Daylight color presets simplifies matching existing light sources
- Adjustable 14°-50° true white soft edge beam which can be shaped using the barn door accessory
- Defined maximum energy consumption with power presets - from 30 watts to full power
- LED light engine comprise a single chip with RGBW LEDs
- Full color mixing for creative flexibility in lighting your display - up to six user defined presets states available on the Advanced Remote Control luminaire - PL1 LED luminaire features a broad color gamut with precise color mixing controls
- No ultra-violet (wavelengths of less than 400nm) - for UV - A, B or C or the Infrared spectrum (wavelengths of more than 775nm) are emitted by PL1 LED luminaires
- Advanced Remote Control model includes on-board LCD menu for ease of fixture set up and addressing; Hand held Infrared remote control includes most programming functions
- Available wireless DMX512 receiver compatible with Wireless Solution W-DMX and Lumen Radio transmitters
- Advanced model features LED system status, power settings, fan control, and a time log to show hours in use
- Choice of track, ceiling, and pipe mounting options
- Luminaire color options: white or black
- Electronic power supply; cETLus Listed and CE marked



PL1 LED Luminaire



SPECIFICATION SUBMITTAL

CONSULTANT: <input type="text"/>	PROJECT NAME: <input type="text"/>	MODEL NUMBER QUANTITY: <input type="text"/> <input type="text"/> <input type="text"/> <input type="text"/> <input type="text"/> <input type="text"/>
DATE: <input type="text"/>	PROJECT NUMBER: <input type="text"/>	APPROVED BY: <input type="text"/>



PL1 LED Luminaire

Advanced Control

The PL1 LED luminaire has an on-board LCD menu system for luminaire setup, control, and addressing. The menu system is extremely user-friendly and offers all configuration options with a few button presses.

Infrared Remote Control

Climbing ladders is not an option in many applications with displays often blocking access to luminaires. The PL1IRR infrared remote is available for all but the basic version of the PL1 luminaire range. The remote allows users convenient access to intensity, preset color temperatures or full color mixing from the floor.

Vision.net Control

Photocell and occupancy sensor control can be integrated as part of a PL1 display lighting solution to minimize the exposure of sensitive art works to light or to manage color temperature transitions over time (e.g., day to night).

Strand Lighting's Vision.net DMX512 interface offers the flexibility of remote lighting control with a simple user interface from either Touchscreens or button and fader stations. These easy to use controllers provide an intuitive interface for both display and energy management applications.

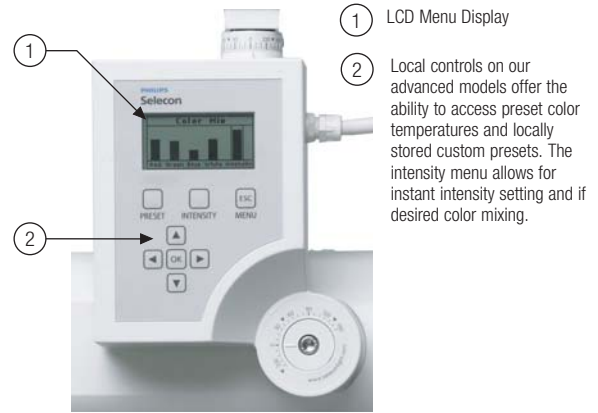
Track Adapters

For track specific models, the PL LED Luminaire is available with the following track adapters*:

Manufacturer:	Nordic Aluminium - Global Tek Trac	Philips Lightolier - Prospec	Lighting Services Inc.	Nordic Aluminium - Global Tek Trac
Description:	TEK 100-2 Two-Circuit Lighting Track Global product code: KKT308316	Prospec Two Circuit Track Adapter	LSI Two Circuit Track Adapter LSI Product code OOFIT-BA or -WA	TEK 100-3 Three-Circuit Lighting Track, Global product code: TK 100-3
Colors:	Black / White	Black / White	Black or White	Black or White
Max. Voltage:	Two Circuit	Two Circuit 120VAC	Two Circuit 120VAC	Three Circuit
Max. Current:	20 Amps	20 Amps	5 Amps (Fitting Rating 600 Watt)	20 Amps
Max. Weight:	20 lbs.	20 lbs.	15 lbs.	20 lbs.
Part Nos.:	-TG03 (Black) / -TG01 (White)	-TLOL03 (Black) / -TLOL01 (White)	-TLSI03 (Black) / -TLSI01 (White)	-T3G03 (Black) / -T3G01 (White)



Available Track Adapters - Global, LSI, and Philips Lightolier (track mount models only)



1 LCD Menu Display
2 Local controls on our advanced models offer the ability to access preset color temperatures and locally stored custom presets. The intensity menu allows for instant intensity setting and if desired color mixing.



PL1IRR Remote Control



Touchscreen Controls



Occupancy / Photocell Controls



Button / Slider Station Controls

Note: *Track adapter information for reference only. Please refer to original manufacturer specifications for operation and use.





PL1 LED Luminaire

Lighting for Designers with...

- An adjustable beam 14 – 50 degrees
- Mask the light to illuminate only what you want to be seen
- Absolute color control
- Precise intensity control
- Homogeneous beam, free of multi colored shadows

The PL1 LED luminaire extends the creative opportunities of lighting design to tell a story, command attention, and direct emotion.



PL1 LED Touring / Rental Spot Luminaire

Lighting for Every Need

For the first time the needs of Display Designers, Gallery and Museum Curators and the creative presentation team are met as the PL1 LED luminaire delivers crisp white light and vibrant colors at an intensity required for the best conservation practices, free from UV and IR. The sophisticated control functions deliver maximum power settings; life hour records and the ability to integrate with control systems to best manage light exposure.



PL1 LED Luminaire at Daylight and Warm White Settings



PL1 LED Luminaire shown with Barndoor Option





Photometrics (preliminary)

Wide - 50° Field Angle

	(Metres)				(Feet)			
Beam Diameter	2.0	4.0	6.0	8.0	6.0	12.0	19.9	24.9
Throw Distance	2.0	4.0	6.0	8.0	6.0	12.0	20.0	25.0
Central Illumination	(Lux)				(Footcandles)			
Warm White (3,200K)	977	244	109	61	94	23	8	5
Cool White (4,000K)	1166	291	130	73	112	28	10	6
Daylight (5,600K)	1271	318	141	79	122	30	11	7

Medium - 33° Field Angle

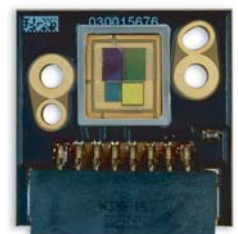
	(Metres)				(Feet)			
Beam Diameter	1.8	3.6	4.7	5.9	5.3	10.7	14.2	17.8
Throw Distance	3.0	6.0	8.0	10.0	10.0	20.0	25.0	32.0
Central Illumination	(Lux)				(Footcandles)			
Warm White (3,200K)	1750	438	246	158	168	42	24	15
Cool White (4,000K)	2110	528	297	190	202	51	28	18
Daylight (5,600K)	2300	575	323	207	221	55	31	20

Narrow - 14° Field Angle

	(Metres)				(Feet)			
Beam Diameter	0.7	1.5	2.0	2.5	2.5	4.4	5.9	7.4
Throw Distance	3.0	6.0	8.0	10.0	10.0	20.0	25.0	32.0
Central Illumination	(Lux)				(Footcandles)			
Warm White (3,200K)	6060	1515	852	545	471	145	82	52
Cool White (4,000K)	7150	1788	1005	644	555	171	96	62
Daylight (5,600K)	7900	1975	1111	711	614	189	107	68

PL1 LED Engine

PL1's powerful LED engine offers exceptional performance and life. Under normal operating conditions our LED engine has a life expectancy in excess of 50,000 hours, however under worst case operating conditions with the luminaire set to continuous full output it is possible that a small percentage of LED's may require replacement sooner. The Philips Selecon three-year limited warranty includes our guarantee against premature failure of the LED engine.





Technical Specifications

Electrical Specifications

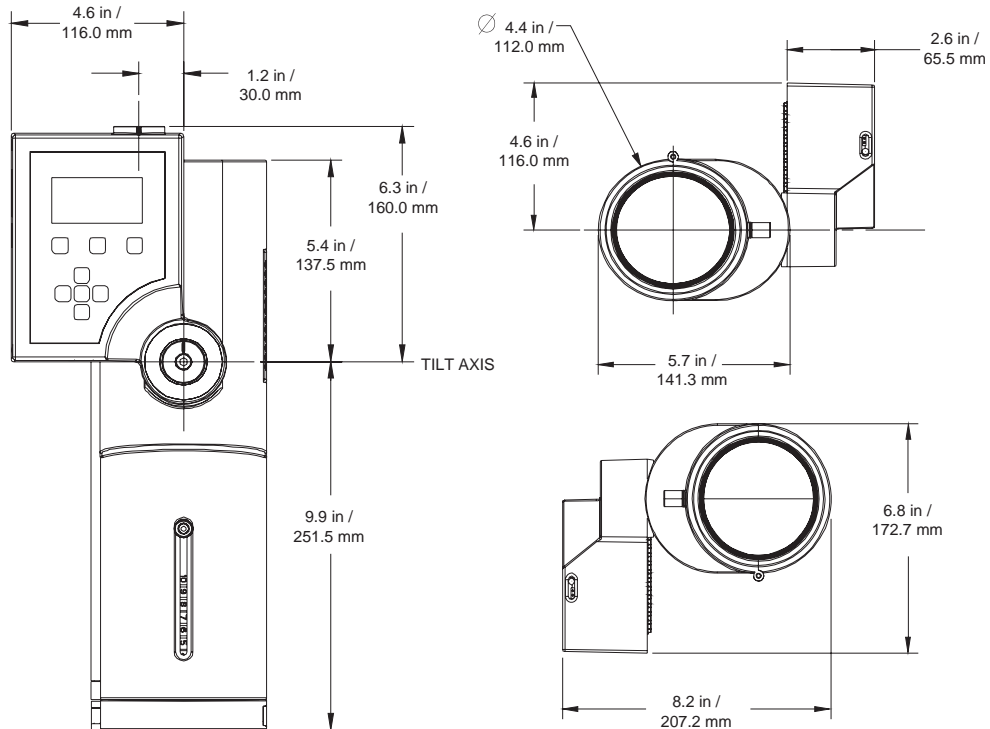
Source:	True RGBW 120W LED chip
Output:	> 2,000 lumens (white light)
Operating Voltages:	120 to 240 Volts AC (auto-ranging)
Frequency:	50/60 Hz
Current Draw:	1.91 Amps (120V) / 0.95 Amps (240V)
Quiescent Load:	2.4 Watts (fan off)
Ambient Temperature:	0° to 40°C
Control:	On-board menu / DMX512 / Infrared Remote Control (depends on model)
DMX Channels:	15 Channels (16-bit mode) 9 Channels (8-bit mode) 3 Channels (3 channel mode)

Mechanical Specifications

Construction:	Die cast aluminum and molded engineering grade plastic components
Color Options:	White or Black
Weight:	8.0 lbs / 3.6 kg (luminaire only)
Lenses:	Precision coated aspheric lenses
Standards Compliance:	cETLus Listed and CE Marked



Dimensions



Ordering Information

Cat No. Description

PL1 LED Luminaire with Local / DMX512 / IR Control (North American Market)		Accessories - PL1 LED Luminaire Infrared (IR) Remotes	
PL1RC01-TG01	PL1 LED Luminaire, Spot, Global Track Adapter (2 circuit) fitted, White	PL1IRR	PL1 LED Luminaire IR Remote Preset Programmer
PL1RC01-T3G01	PL1 LED Luminaire, Spot, Global Track Adapter (3 circuit) fitted, White	Accessories - PL1 LED Luminaire Barndoors & Filter Holders	
PL1RC01-TL0L01	PL1 LED Luminaire, Spot, Lightolier Track Adapter fitted, White	PL1CF	PL1 LED Luminaire Color Filter Holder
PL1RC01-TLSI01	PL1 LED Luminaire, Spot, LSI Track Adapter fitted, White	PL1BD0103	PL1 LED Luminaire Barndoor, White Exterior, Black Interior
PL1RHC01	PL1 LED Luminaire, Spot, fitted with a Half Coupler, 39-inch AC Input Cable with Specified Connector (see Accessories - Connectors), White	PL1BD03	PL1 LED Luminaire Barndoor, Black Exterior, Black Interior
PL1RCTR01	PL1 LED Touring / Rental Spot Luminaire, with a Lock-Off Handle and C-Clamp , 39-inch AC Input Cable with Specified Connector (see Accessories - Connectors), White	Accessories - PL1 LED Luminaire Wireless DMX Receivers	
PL1RC03-TG03	PL1 LED Luminaire, Spot, Global Track Adapter (2 circuit) fitted, Black	PL1WDMX01	PL1 LED Luminaire W-DMX Wireless DMX512 Receiver, White
PL1RC03-T3G03	PL1 LED Luminaire, Spot, Global Track Adapter (3 circuit) fitted, Black	PL1WDMX03	PL1 LED Luminaire W-DMX Wireless DMX512 Receiver, Black
PL1RC03-TL0L03	PL1 LED Luminaire, Spot, Lightolier Track Adapter fitted, Black	PL1LDMX01	PL1 LED Luminaire Lumen Radio Wireless DMX512 Receiver, White
PL1RC03-TLSI03	PL1 LED Luminaire, Spot, LSI Track Adapter fitted, Black	PL1LDMX03	PL1 LED Luminaire Lumen Radio Wireless DMX512 Receiver, Black
PL1RHC03	PL1 LED Luminaire, Spot, fitted with a Half Coupler, 39-inch AC Input Cable with Specified Connector (see Accessories - Connectors), Black	PL1SDMX01	PL1 LED Luminaire City Theatrical Wireless DMX512 Receiver, White
PL1RCTR03	PL1 LED Touring / Rental Spot Luminaire, with a Lock-Off Handle and C-Clamp , 39-inch AC Input Cable with Specified Connector (see Accessories - Connectors), Black	PL1SDMX03	PL1 LED Luminaire City Theatrical Wireless DMX512 Receiver, Black
PL1 LED Luminaire with Local / DMX512 / IR Control (International Markets)		Accessories - PL1 LED Luminaire Wireless DMX Transmitters	
PL1RT01	PL1 LED Luminaire, Spot, Universal 3 Circuit Track Adapter, White	PL1WDMXTR	PL1 LED Luminaire W-DMX Wireless DMX512 Transmitter
PL1RT03	PL1 LED Luminaire, Spot, Universal 3 Circuit Track Adapter, Black	PL1LDMXTR	PL1 LED Luminaire Lumen Radio Wireless DMX512 Transmitter
PL1RC01	PL1 LED Luminaire, Spot, Ceiling Rose, White	PL1SDMXTR	PL1 LED Luminaire City Theatrical Wireless DMX512 Transmitter
PL1RC03	PL1 LED Luminaire, Spot, Ceiling Rose, Black	Accessories - PL1 LED Luminaire DMX Cables	
PL1RHC01	PL1 LED Luminaire, Spot, fitted with Half Coupler, 1 metre AC Input Cable, White	PL1DMXFRJ45	PL1 LED Luminaire DMX512 cable XLR5 Female to RJ45 12 in. / 305 mm White
PL1RHC03	PL1 LED Luminaire, Spot, fitted with Half Coupler, 1 metre AC Input Cable, Black	PL1DMXFRJ46	PL1 LED Luminaire DMX512 cable XLR5 Female to RJ45 12 in. / 305 mm Black
PL1RCTR01	PL1 LED Touring / Rental Spot Luminaire, with a Lock-Off Handle and C-Clamp , 1 metre AC Input Cable, White	PL1DMXMRJ47	PL1 LED Luminaire DMX512 cable XLR5 Male to RJ45 12 in. / 305 mm White
PL1RCTR03	PL1 LED Touring / Rental Spot Luminaire, with a Lock-Off Handle and C-Clamp , 1 metre AC Input Cable, Black	PL1DMXMRJ48	PL1 LED Luminaire DMX512 cable XLR5 Male to RJ45 12 in. / 305 mm Black
		Accessories - PL1 LED Luminaire Tool	
		ARLAKTOOL	Allen Wrench Hand Tool with 2.5 mm, 3.0 mm, 4 mm, and 5 mm Hex Keys*
		Accessories - Connectors (North American Market)	
		GR	15A NEMA 5-15P Male Edison Connector
		GP	20A, Male Stage Pin Connector
		GTL	20A, NEMA L5-20P Male Twist-Lock Connector

Selecon Lighting

Dallas
10911 Petal Street
Dallas, Texas 75238
Tel: +1 (214) 647-7880
Fax: +1 (214) 647-8031

New York
267 5th Ave, 4th Floor
New York, NY 10016
Tel: +1 (212) 213-8219
Fax: +1 (212) 532-2593

Auckland
19-21 Kawana Street
Northcote, Auckland 0627
New Zealand
Tel: +64 9 481 0100
Fax: +64 9 481 0101

Asia
Unit C, 14/F, Roxy Industrial Centre
No. 41-49 Kwai Cheong Road
Kwai Chung, N.T. Hong Kong
Tel: +852 2796 9786
Fax: +852 2798 6545

Europe
European Service & Distribution Centre
Rondweg zuid 85
Winterswijk 7102 JD
the Netherlands
Tel: +31 (0) 543-542516

Note: * An ARLAKTOOL Allen Wrench tool is included with each PL1 LED Luminaire.

© Philips Group 2012
All rights reserved.
The Company reserves the right to make any variation in design or construction to the equipment described. E&OE

For further information on the PL1 including the Operation manual please visit the Philips Selecon web site at: www.seleconlight.com

